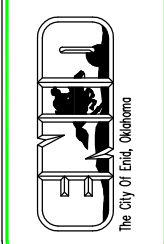


HDI-E-400 KERRIGAN WELDFORGED GRATING OR EQUAL  
 16 Bearing bars @ 2 3/8" c/c - 4" x 1/4" x 3'-1" Long  
 Overall dimensions 3'-1 1/2" x 2'-11 7/8" arranged with 4" x 1/4" bearing bars 3'-1" long with end banding 3 1/2" x 1/4" end bands 2'-11 7/8" long and 3/8" cross bars spaced 4" c/c and (2) 3/8" cross bars on bottom spaced as shown.  
 Dimension for other type grates shall conform to dimensions as shown plus or minus 3/8".

The City of Enid  
 401 West  
 1st St., Enid, Oklahoma 73701  
 Telephone: (505) 234-8446  
 Fax: (505) 234-8446  
**Contacts:**  
 Robert Hill, Director of Engineering Services, Est. 344  
 Jason Bivens, Civil Engineer, Est. 348

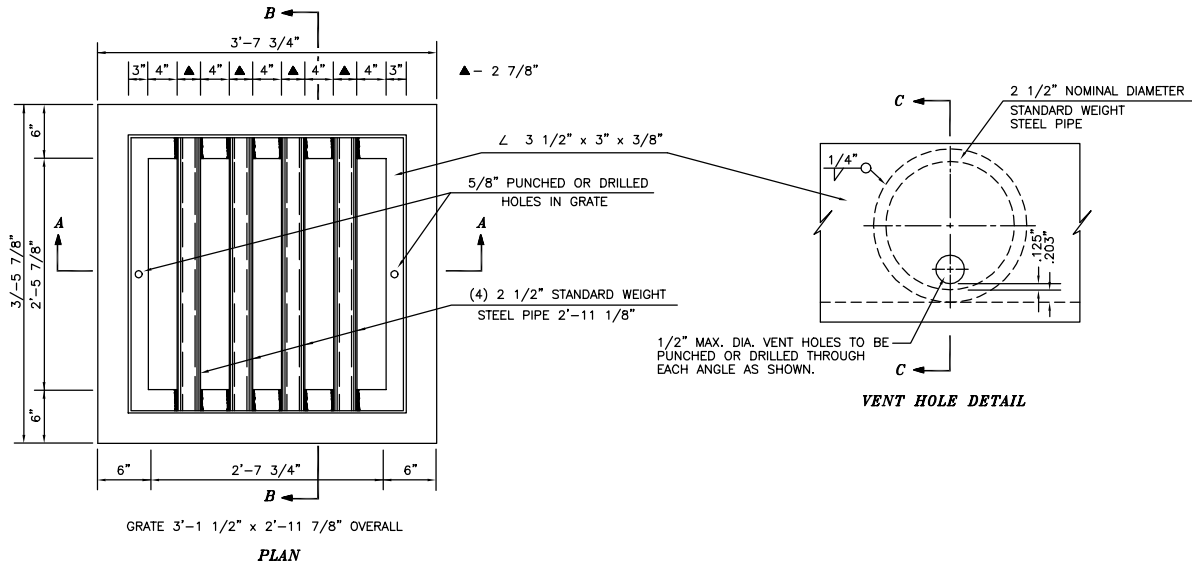


REVISIONS	Number	Date	Description

Project Number: **STANDARD MEDIAN DRAIN AND GRATE TYPE 1**  
 Project Location: **DD - 8 SHT. 1**

Engr. Seal:

Date: 6/1/00  
 Scale: NO SCALE  
 Cad File: G:\DATA\SPECS\008  
 Drawn By: P.B./C.L.H.  
 Designed By: R.H.  
 Approved By: R.H.  
 Sheet: of



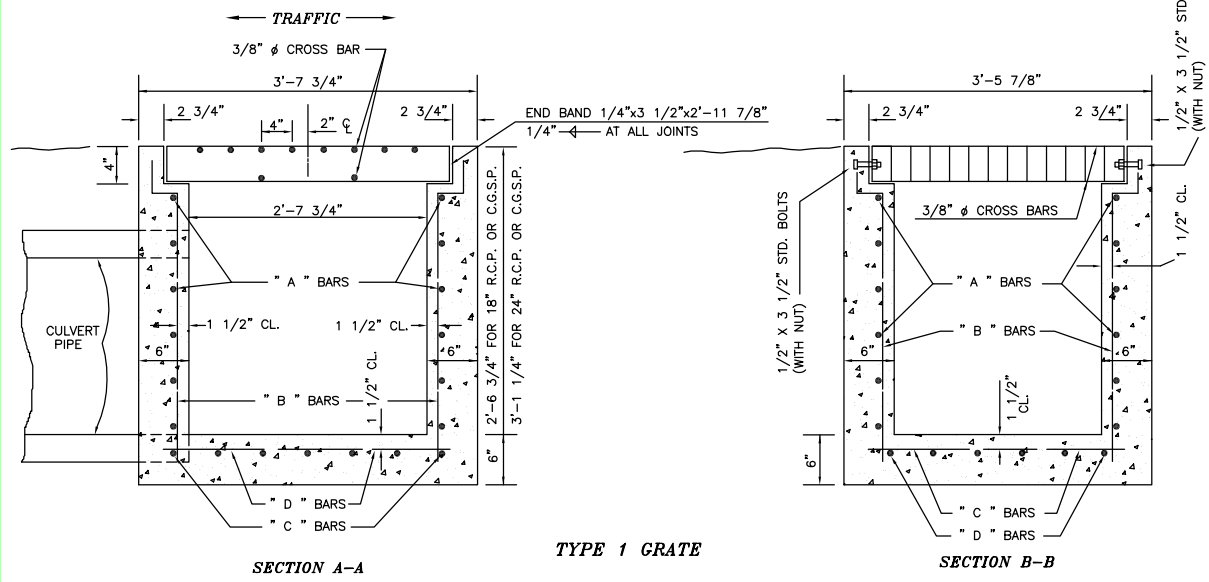
1/2" MAX. DIA. VENT HOLES TO BE PUNCHED OR DRILLED THROUGH EACH ANGLE AS SHOWN.

REVISIONS	Number	Date	Description

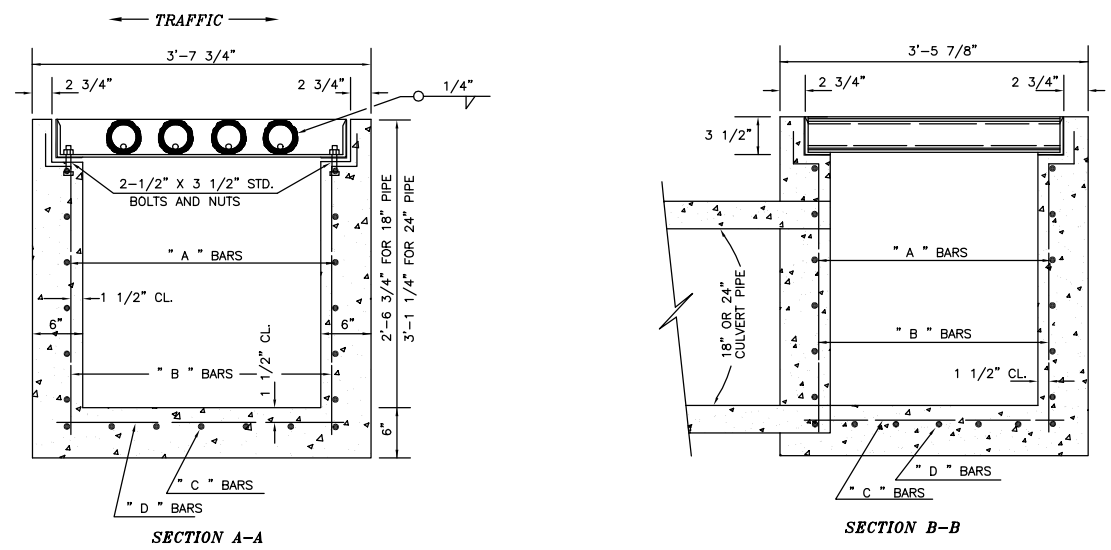
Project Number: **STANDARD MEDIAN DRAIN AND GRATE TYPE 2**  
 Project Location: **DD - 8 SHT. 2**

Engr. Seal:

Date: 6/1/00  
 Scale: NO SCALE  
 Cad File: G:\DATA\SPECS\008  
 Drawn By: P.B./C.L.H.  
 Designed By: R.H.  
 Approved By: R.H.  
 Sheet: of



TYPE 1 GRATE



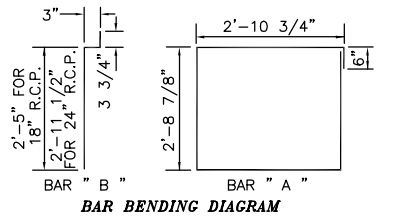
TYPE 2 GRATE

GENERAL NOTES FOR TYPE 1 & TYPE 2 MEDIAN DRAINS

All Construction and Materials requirements shall conform to the current Specifications.  
 Exposed concrete edges shall have a 1/2" chamfer. All exposed surfaces shall be finished in accordance with Section 603.04(k).  
 Design of grate is based upon minimum H-15 loading.  
 Grate shall be furnished galvanized in accordance with the requirements of AASHTO M-111 or ASTM A-123. Hardware shall be furnished galvanized in accordance with the requirements of AASHTO M-232 or ASTM A-153.  
 Vent holes shall be drilled in Frame as shown in detail on Type 2 Grate.

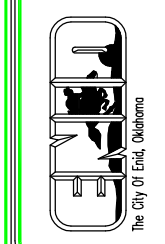
QUANTITIES		
	Class "A" Concrete	Reinforcing Steel
	Cu. Yd.	Lb.
18" R.C.P.	0.77	115.
24" R.C.P.	0.89	129.
Per Vertical Foot of Additional Depth	0.23	27.

BAR LIST					
MARK	SIZE	NO. BARS	SHAPE	LENGTH	SPACE
18" R.C.P.					
" A "	1/2" φ	5	Bent	11'- 9 1/4"	6" c/c
" B "	1/2" φ	16	Bent	2'-11 3/4"	9" c/c
" C "	5/8" φ	7	Str.	3'- 1 5/16"	6" c/c
" D "	5/8" φ	6	Str.	3'- 3 3/4"	6" c/c
24" R.C.P.					
" A "	1/2" φ	6	Bent	11'-9 1/4"	6" c/c
" B "	1/2" φ	16	Bent	3'-6 3/4"	9" c/c
" C "	5/8" φ	7	Str.	3'-1 5/16"	6" c/c
" D "	5/8" φ	6	Str.	3'-3 3/4"	6" c/c



NOTE: SEE "GENERAL NOTES FOR TYPE 1 & TYPE 2 MEDIAN DRAINS" ON TYPE 1 GRATE DRAWING. SHEET 1

The City of Enid  
 401 West  
 1st St., Enid, Oklahoma 73701  
 Telephone: (505) 234-8446  
 Fax: (505) 234-8446  
**Contacts:**  
 Robert Hill, Director of Engineering Services, Est. 344  
 Jason Bivens, Civil Engineer, Est. 348



REVISIONS	Number	Date	Description

Project Number: **STANDARD MEDIAN DRAIN AND GRATE TYPE 2**  
 Project Location: **DD - 8 SHT. 2**

Engr. Seal:

Date: 6/1/00  
 Scale: NO SCALE  
 Cad File: G:\DATA\SPECS\008  
 Drawn By: P.B./C.L.H.  
 Designed By: R.H.  
 Approved By: R.H.  
 Sheet: of