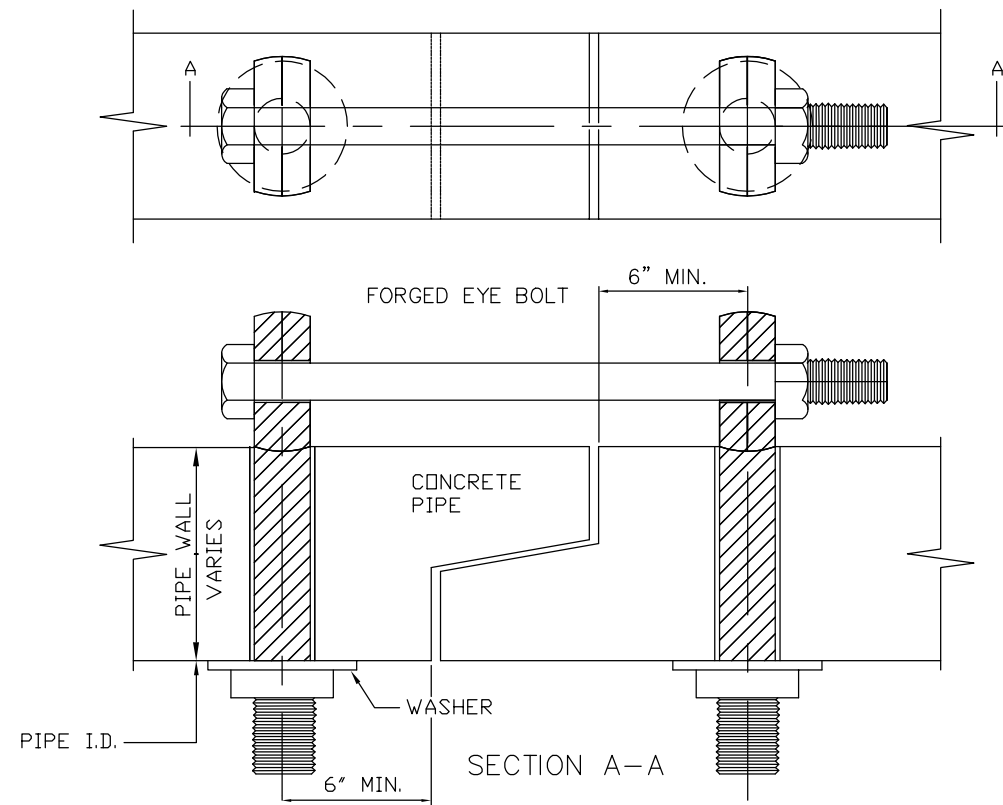


Storm Sewer Pipe Coupler

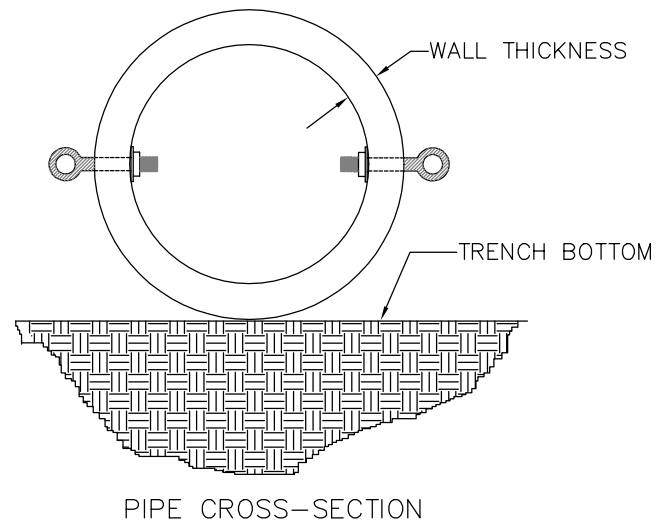


R.C.P.		Rod Diameter	No. of Couplers
I.D.	Wall Thk.		
12"-36"	2"-4"	5/8"	2
42"-80"	4 1/2"-8 1/2"	3/4"	2
98"-120"	9"-11"	1"	3

PIPE SIZE	EYEBOLT LENGTH	THREAD LENGTH
12" - 24"	5/8" x 4"	2 1/4"
30" & 36"	5/8" x 5"	3 1/4"
42" & 48"	3/4" x 6"	3 1/2"
54"	3/4" x 7"	3 1/4"
60" - 72"	3/4" x 8"	4 1/2"

NOTES

1. All coupler assemblies to be furnished w/nuts and washers.
2. All parts shall be galvanized according to A.S.T.M. A123.
3. All steel shall conform to A.S.T.M. A325.
4. Standard threads to be used on rods & nuts.
5. Bolts to be used in addition to rubber gaskets or cold applied mastic.



The City of Enid
401 West
1st St., Enid, Oklahoma 73701
Telephone: (505) 234-8440 Fax: (505) 234-8446

Contacts:
Robert Hill, Director of Engineering Services, Est. 344
Jason Bivney, Civil Engineer, Est. 348



REVISIONS	Number	Date	Description

Project Number:	Project Location:
Sheet Title: STORM SEWER PIPE COUPLER	Project Title: DD-19



Date:	6/1/00
Scale:	NO SCALE
Cad File:	0:\MIA\SPES\0019
Drawn By:	T.D.H./C.L.H.
Designed By:	
Approved By:	R.H.
Sheet:	of