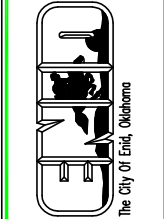


The City Of Enid  
 471 West Owen K. Corbett Road  
 Enid, Oklahoma 73732  
 Telephone: (800) 234-6868 Fax: (800) 234-8848



REVISIONS

Number	Date	Description

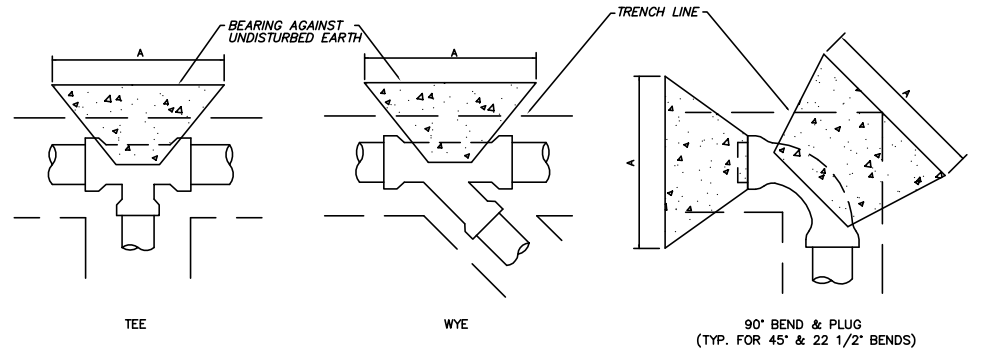
Project Number:  
 Project Location:  
 Sheet Title:  
 Project Title:

Engr. Seal:  
 REGISTERED PROFESSIONAL ENGINEER  
 ROBERT S. HITT  
 13111  
 OKLAHOMA

Date: 8/1/81  
 Scale: NO SCALE  
 Cad File:  
 Drawn By: P.B./C.L.H.  
 Designed By: R.H.  
 Approved By: R.H.  
 Sheet: of

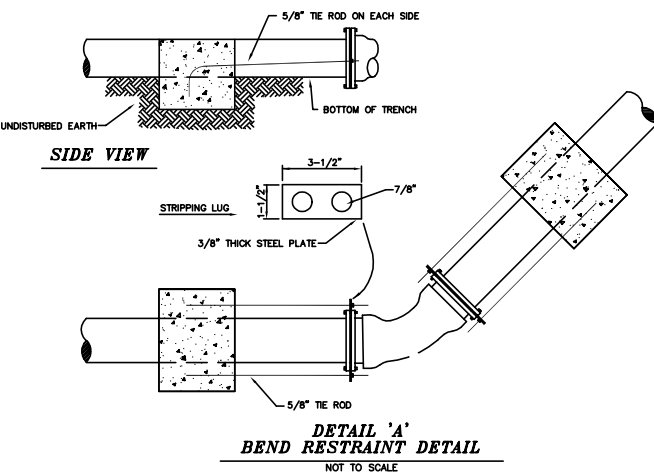
CONCRETE ANCHOR SCHEDULE					
PIPE SIZES		"A" BEARING AREA IN SQUARE FEET			
DIAMETER	(I.D.) <sup>2</sup>	22-1/2" BEND	45° BEND & WYES	90° BEND	TEE & PLUG
		A(FT <sup>2</sup> )	A(FT <sup>2</sup> )	A(FT <sup>2</sup> )	A(FT <sup>2</sup> )
4	17.8	0.68	1.34	2.3	1.75
6	39.4	1.5	2.95	5.45	3.85
8	70.4	2.7	5.3	9.8	6.85
10	108.2	4.15	8.15	15.0	10.6
12	155.2	5.95	11.7	21.6	15.2
14	213.0	8.15	16.0	29.6	21.0
16	278.0	10.65	21.0	38.7	27.3
18	351.0	13.45	26.5	48.9	34.5
20	434.0	16.60	32.65	60.5	42.5
24	625.0	23.95	47.0	87.0	62.0

ASSUMPTIONS: SAFE SOIL BEARING PRESSURE = 2,000 P.S.F.  
 DESIGN PRESSURE MAXIMUM = TEST PRESSURE = 250 P.S.I.

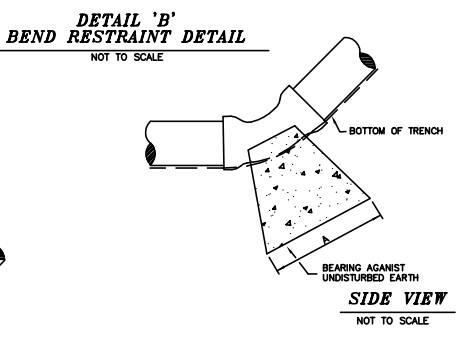


CONCRETE ANCHORS FOR PIPE FITTINGS  
 NOT TO SCALE

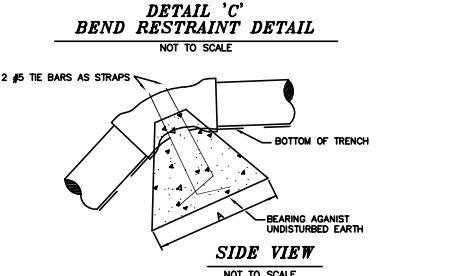
NOTES:  
 RESTRAINING FITTINGS OR FULL RUN TIE RODS AS APPROVED BY THE ENGINEER MAY BE USED AS TEMPORARY BEND RESTRAINTS TO ALLOW IMMEDIATE RETURN OF SYSTEM TO OPERATION. P.C. CONCRETE ANCHORS AND THRUST BLOCKS SHALL BE PLACED AS PERMANENT RESTRAINTS.



DETAIL 'A' BEND RESTRAINT DETAIL  
 NOT TO SCALE

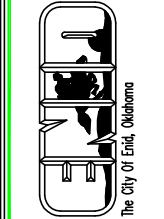


DETAIL 'B' BEND RESTRAINT DETAIL  
 NOT TO SCALE



DETAIL 'C' BEND RESTRAINT DETAIL  
 NOT TO SCALE

The City Of Enid  
 471 West Owen K. Corbett Road  
 Enid, Oklahoma 73732  
 Telephone: (800) 234-6868 Fax: (800) 234-8848



REVISIONS

Number	Date	Description

Project Number:  
 Project Location:  
 Sheet Title:  
 Project Title:

Engr. Seal:  
 REGISTERED PROFESSIONAL ENGINEER  
 ROBERT S. HITT  
 13111  
 OKLAHOMA

Date: 8/1/81  
 Scale: NO SCALE  
 Cad File: G:\DATA\SPETS\8801  
 Drawn By: P.B./C.L.H.  
 Designed By: R.H.  
 Approved By: R.H.  
 Sheet: of