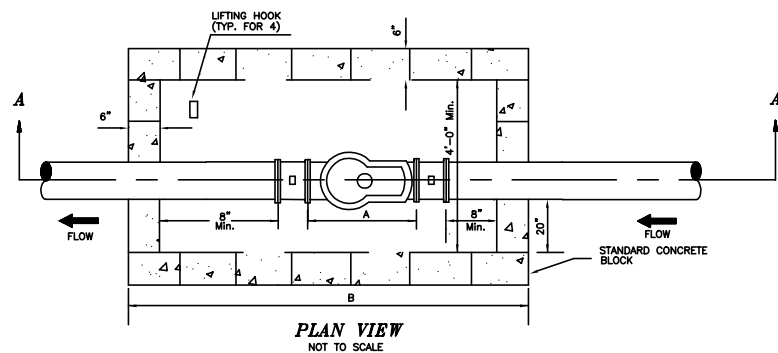
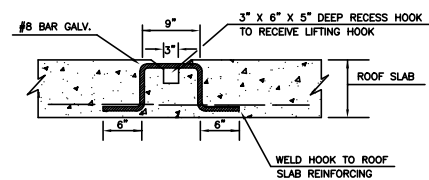


ELEVATION VIEW SECTION AA
NOT TO SCALE



PLAN VIEW
NOT TO SCALE



LIFTING HOOK DETAIL
NOT TO SCALE

LEGEND		
METER SIZE	A	B
1 1/2	15 3/4	65 1/8
2	20 1/4	71 1/4

NOTE: ALL NUMBERS IN INCHES.

The City of Enid
401 West 1st St., Box 1198
Enid, Oklahoma 73701
Telephone: (505) 234-2000 Fax: (505) 234-8046
Contacts:
Robert Hill, Director of Engineering Services, Est. 344
Joan Brown, Civil Engineer, Est. 348



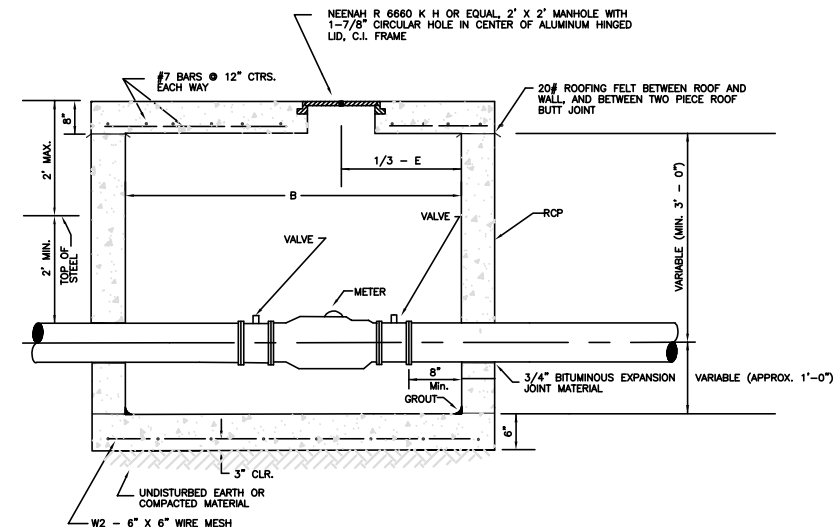
REVISIONS	
Number	Description

Project Number: _____
Project Location: _____

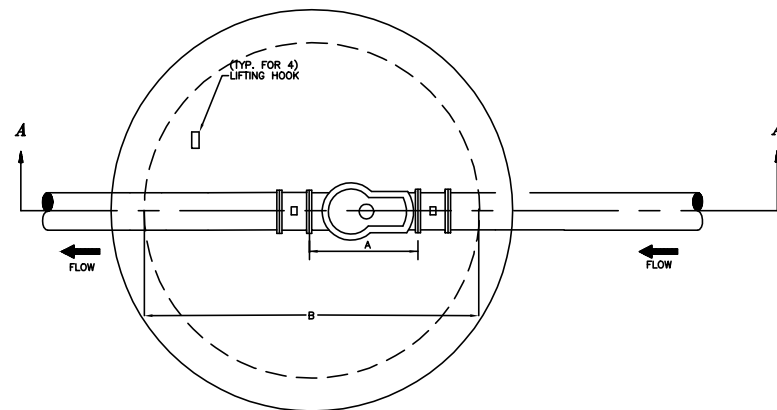
Sheet Title: **WATER METER VAULT**
1 1/2" & 2" METER
Project Title: **SWD - 11 SHT. 1 A**



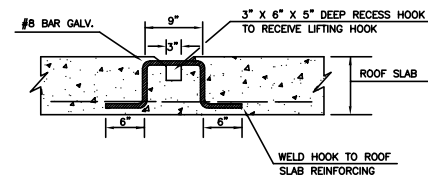
Date: 12/17/98
Scale: NO SCALE
Cod File: SWD11-1ADW
Drawn By: C.H.
Designed By: R.H.
Approved By: R.H.
Sheet: of



ELEVATION VIEW SECTION AA
(NOT FOR TRAFFIC LOADS)
NOT TO SCALE



PLAN VIEW
NOT TO SCALE



LIFTING HOOK DETAIL
NOT TO SCALE

LEGEND		
METER SIZE	A	B
1 1/2	15 3/4	66
2	20 1/4	72

NOTE: ALL NUMBERS IN INCHES.

IT SHALL BE THE RESPONSIBILITY OF THE CONTRACTOR TO FURNISH FITTINGS COMPATIBLE WITH THE TYPE OF PIPE FURNISHED.

The City of Enid
401 West 1st St., Box 1198
Enid, Oklahoma 73701
Telephone: (505) 234-2000 Fax: (505) 234-8046
Contacts:
Robert Hill, Director of Engineering Services, Est. 344
Joan Brown, Civil Engineer, Est. 348



REVISIONS	
Number	Description
1	12/17/98 This Sheet
2	5/24/06 Delete Dr-Down Line
3	8/18/06 New Details For 3", 4" & 6" Meter
4	1/22/97 New Opening Detail for Aluminum Lid

Project Number: _____
Project Location: _____

Sheet Title: **WATER METER VAULT**
1 1/2" & 2" METER
Project Title: **SWD - 11 SHT. 1 B**



Date: 12/17/98
Scale: NO SCALE
Cod File: SWD11-SPEC/SWD11
Drawn By: C.L.H.
Designed By: R.H.
Approved By: R.H.
Sheet: of